

MSD-500

(LEAFY) VEGETABLE
CENTRIFUGE



General

Since the start up of the vegetable processing industry in 1929 Eillert has been successful in this line of business. Many of our customers started as greengrocers and have developed into leading food processors, supplying to food retail, fast food and the hotel and catering industry.

Quality and service

The choice of high quality components of renowned global brands guarantees a good availability and more reliability. Regular maintenance of the machines maximises the uptime. Also for on site maintenance, you can rely on Eillert's experienced and professional service department. After all, for service and maintenance, the experienced manufacturer of your machines is the one to deal with.

MSD-500

The series of manually operated (leafy) vegetable centrifuges starts with the MSD-500-S. This centrifuge has a fixed speed of 800 r.p.m. and a quickly adjustable spinning time.

The MSD-500-V is a completely programmable version. By programming spinning speed, time, rotation and slow-start the machine is suitable for vegetables of all sorts and qualities. 20 pre-settings, directly entered via the robust stainless steel push buttons and readable in the clear display, can easily be set. Program settings can be blocked for the user.

The left/right rotating cycle, combined with the slow-start function, ensures optimal spinning for whole leaves, delicate products or large cutting sizes.

The centrifuge is also available in a reinforced "heavy duty" version, type MSD-500-V-HD. Due to the strong motor and bearing construction the machine is extremely suitable for heavy products such as sliced onions, sliced/diced vegetables, carrots, peppers etc.



MSD-500

(LEAFY) VEGETABLE
CENTRIFUGE



- Low basket insert: 564 mm.
- Fill rate MSD-500-VAR: up to 28 litres or 8 kg. of product
- Fill rate MSD-500-VAR HD: up to 28 litres of 20 kg. of product
- Slow start/stop for fragile lettuces
- Super absorbing vibration absorbers
- Lid bolting system during centrifuging

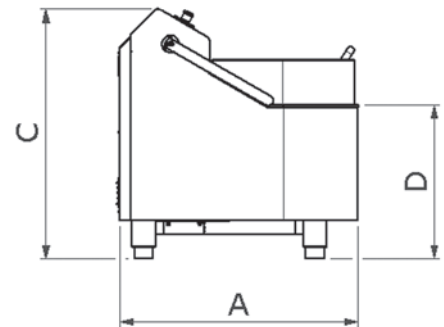
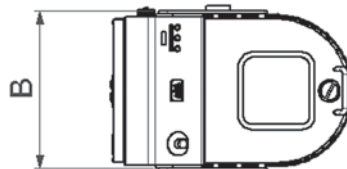
Technical specification:

| | |
|---------------|--|
| Connections : | 230 Volts, 50 Hz, 1 Phase+PE+PN, 1,5 KW |
| Plug : | 16 A CEE, 3 pole |
| Options : | Extra blue basket, 43 ltr Fine-meshed insert basket |

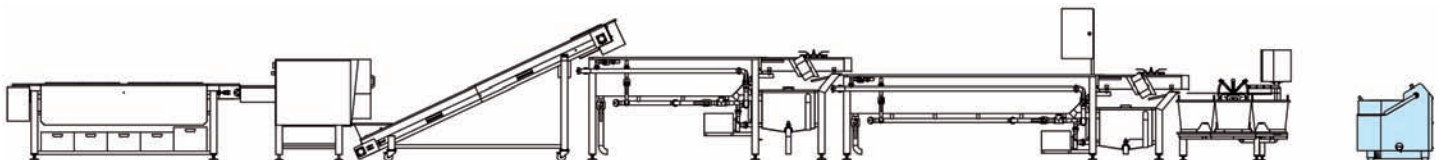
Other machines

in the Eillert vegetable processing program are:

- preparation tables
- slicing machines
- washing machines
- basket mills
- fully automatic centrifuges
- weighing/packing machines
- abrasive/knife peeling machines



| Machine type | A in mm | B in mm | C in mm | D in mm |
|--------------|---------|---------|---------|---------|
| MSD-500 | 940 | 620 | 930 | 575 |



Subject to alterations

Machinefabriek Eillert B.V.

De Bolanden 9 - 7071 PW

P.O. Box 20 - 7070 AA

Ulft - The Netherlands

T: +31-(0)315 200 050

F: +31-(0)315 631 540

E: info@eillert.nl

W: www.eillert.nl